

# Faucet Retrofit

Erie Aviation, Inc.

Alternative to Adams Rite and Franke!!



## EAI's Faucet Retrofit

**Replace Adams Rite/Franke faucet**

Adams Rite Part Numbers:

- 9810
- 9834
- 9819-101

*with*

- EAI-2000 Single Temperature
- or
- EAI-2010 Dual Temperature

Self-Closing Faucet

Standard Satin (matte) Chrome Finish

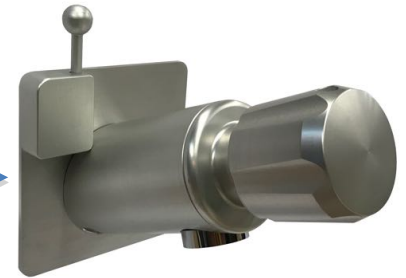
1 - Year Manufacturer's Warranty

***PMA Approved!!***

***Made in USA - Erie, PA!!***



Adams Rite



EAI - Satin Chrome Finish  
*Installed using our Adams Rite Conversion Bracket Option*

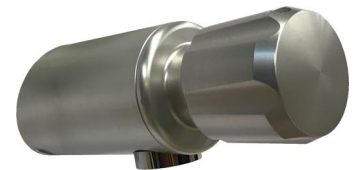
**Go from these...**

**to this...**

**in Minutes!!!**



Franke



EAI - Satin Chrome Finish  
*Installed as a Direct Replacement*

Erie Aviation, Inc.  
1607 Asbury Road • Erie, PA 16505

[www.erieaviation.com](http://www.erieaviation.com)

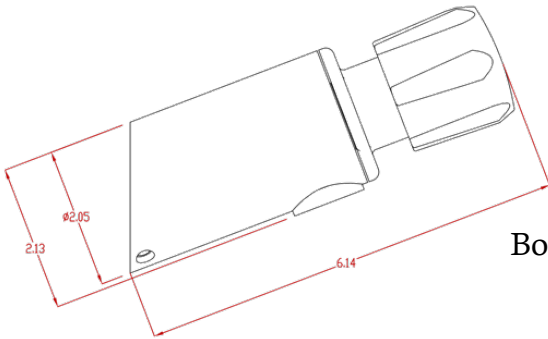
Phone: 814-838-8934 • Fax: 814-833-3673  
sales@erieaviation.com

**Go from This...**



**to This in Minutes!!!**

**TESTING PARAMETERS**



Flow Duration: 2.0 bar +/- 0.3 bar  
0-20 seconds

Flow Volume Test: 2.0 bar +/- 0.3 bar  
1.5 liters per minute +/- 0.3 liters per minute  
10 seconds +/- 3.0 seconds

Boost & Leakage Test: 2.85 - 3.5 bar

**APPLICABLE PART NUMBERS**

EAI:



EAI-2000, EAI-2010

Adams Rite:



9810, 9834, 9819-101

Franke:



2980192100000, 2980212100000  
2980292100000, 2980312100000  
2980332100000, 2980352100100