

Faucet Retrofit

Erie Aviation, Inc.

Weighs less than Adams Rite and Franke!!



EAI's Faucet Retrofit

Replace Adams Rite/Franke faucet

Adams Rite Part Numbers:

- 9810
- 9834
- 9819-101

with

- EAI-2000 Single Temperature
- or
- EAI-2010 Dual Temperature

Self-Closing Faucet

Weighs less than Adams Rite and Franke

Finishes Available:

Standard Matte or Custom Colors

1 - Year Manufacturer's Warranty

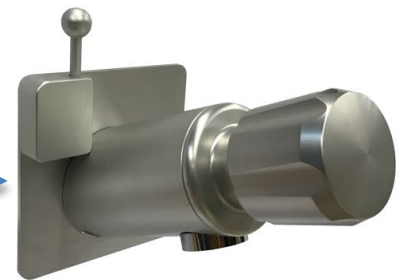
PMA Approved!!

Made in USA - Erie, PA!!



Adams Rite

Weight: 874 grams



EAI Standard Matte Finish
Installed using our Adams Rite Conversion Bracket Option

Go from these...

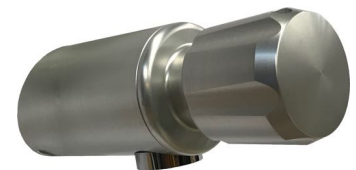
to this...

in Minutes!!!



Franke

Weight: 969 grams



EAI Standard Matte Finish

Weight: 873 grams

Erie Aviation, Inc.
1607 Asbury Road • Erie, PA 16505

www.erieaviation.com

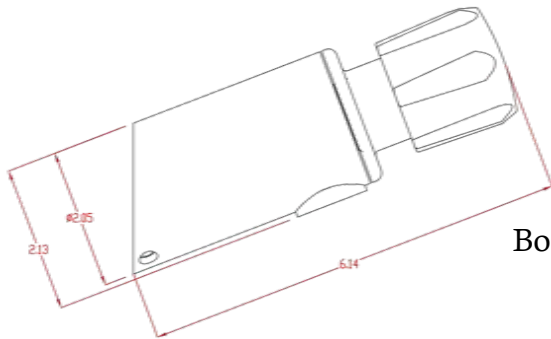
Phone: 814-838-8934 • Fax: 814-833-3673
sales@erieaviation.com

Go from This...



to This in Minutes!!!

TESTING PARAMETERS



Flow Duration: 2.0 bar +/- 0.3 bar
0-20 seconds

Flow Volume Test: 2.0 bar +/- 0.3 bar
1.5 liters per minute +/- 0.3 liters per minute
10 seconds +/- 3.0 seconds

Boost & Leakage Test: 2.85 - 3.5 bar

WEIGHT COMPARISON

EAI: 873 grams



EAI-2000, EAI-2010

Adams Rite: 874 grams



9810, 9834, 9819-101

Franke: 969 grams



2980192100000, 2980212100000
2980292100000, 2980312100000
2980332100000, 2980352100100